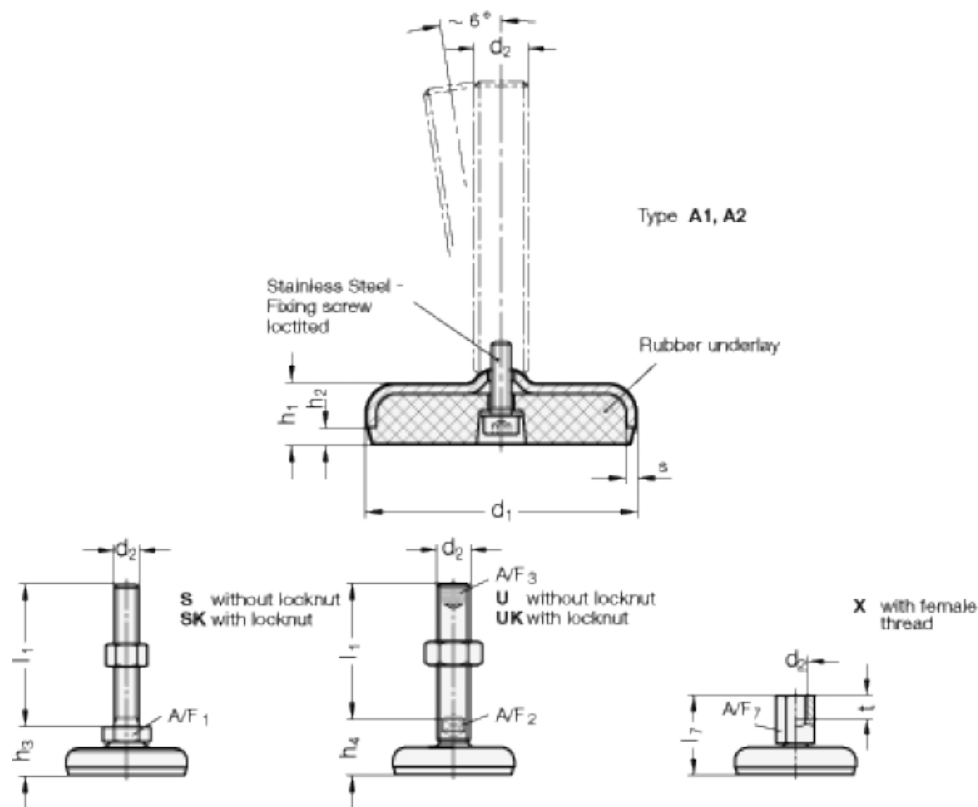


Article number: 2030100M16125A1UK

Description: E+G levelling foot
GN 30-100-M16-125-A1-UK

Note: UK With nut, Hexagon socket at the top, Wrench flat at the bottom

Measures



A/F2 = 12

$s = 3$

A/F3 = 8

$d_1 = 100$

$d_2 = M16$

$h_1 = 20$

$h_2 = 6$

$h_4 = 34$

$l_1 = 125$